

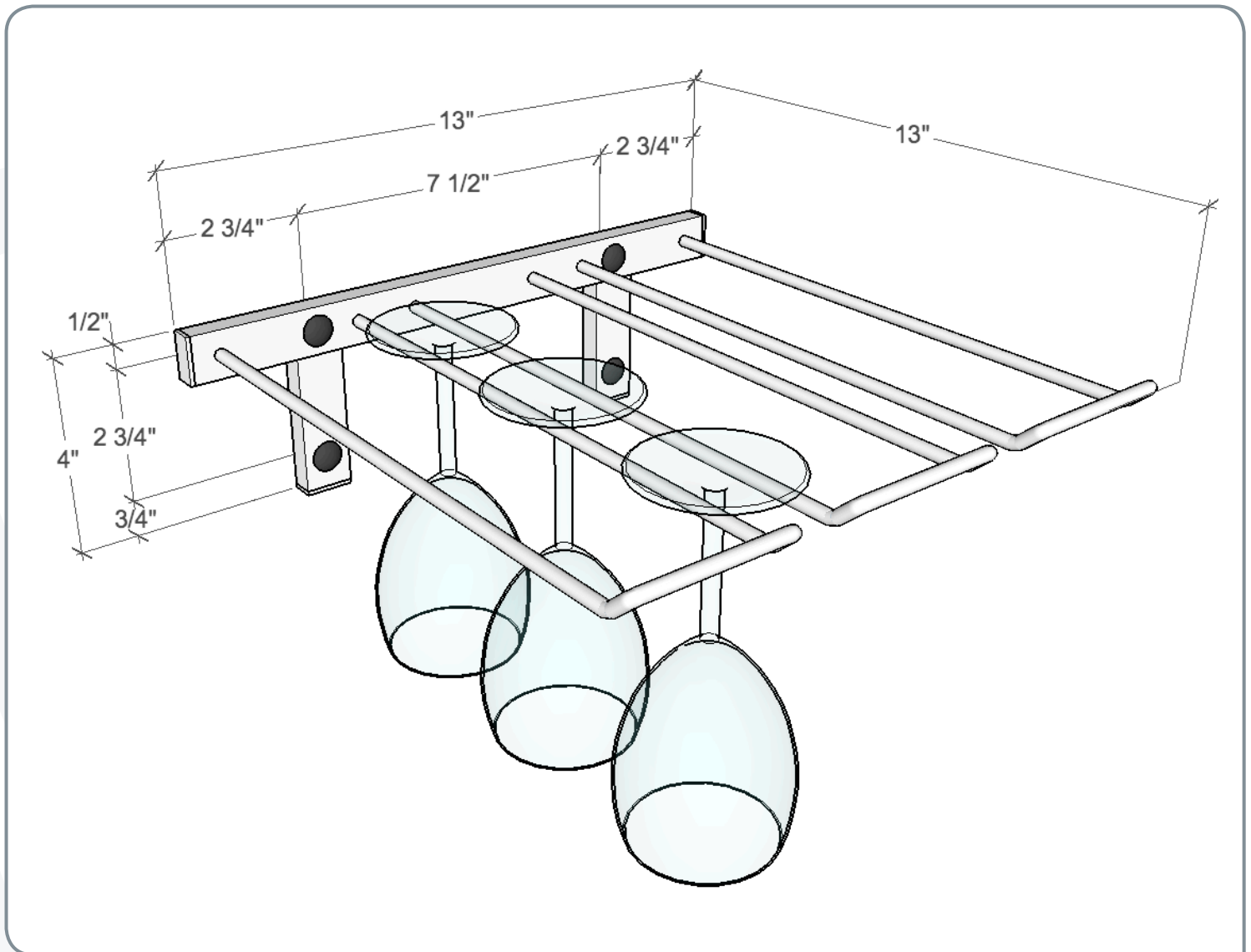
# Wall Series Stemware Rack

(WS-SR) Spec Sheet



Capacity of an individual WS-SR is 6 stemware glasses.

When coupled together, each additional rack provides storage for 9 additional stemware glasses.



**VINTAGEVIEW®**  
MOVING WINE STORAGE FORWARD

Note: A minimum of 1 inch above the rack and 12 inches down from the top of the rack are recommended clearances, but may vary by the height of the stemware stored.

10645 E 47th Ave, Denver, CO 80239 | phone: 866.650.1500 | fax: 866.650.1501 | [VintageView.com](http://VintageView.com)

For product warranty information, please visit: [VintageView.com/support/warranty](http://VintageView.com/support/warranty). We're here to help, call us at 866-650-1500 with any questions